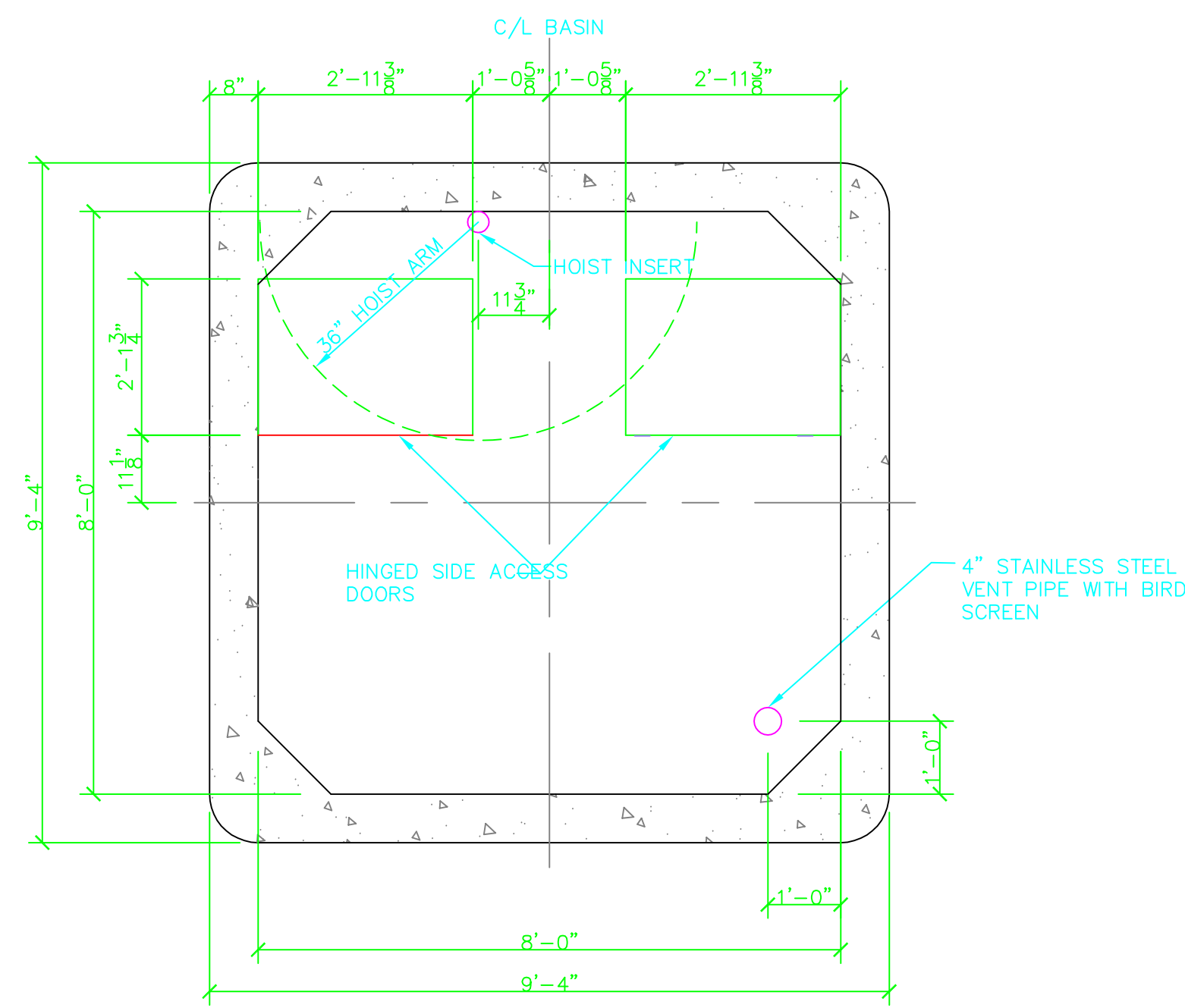


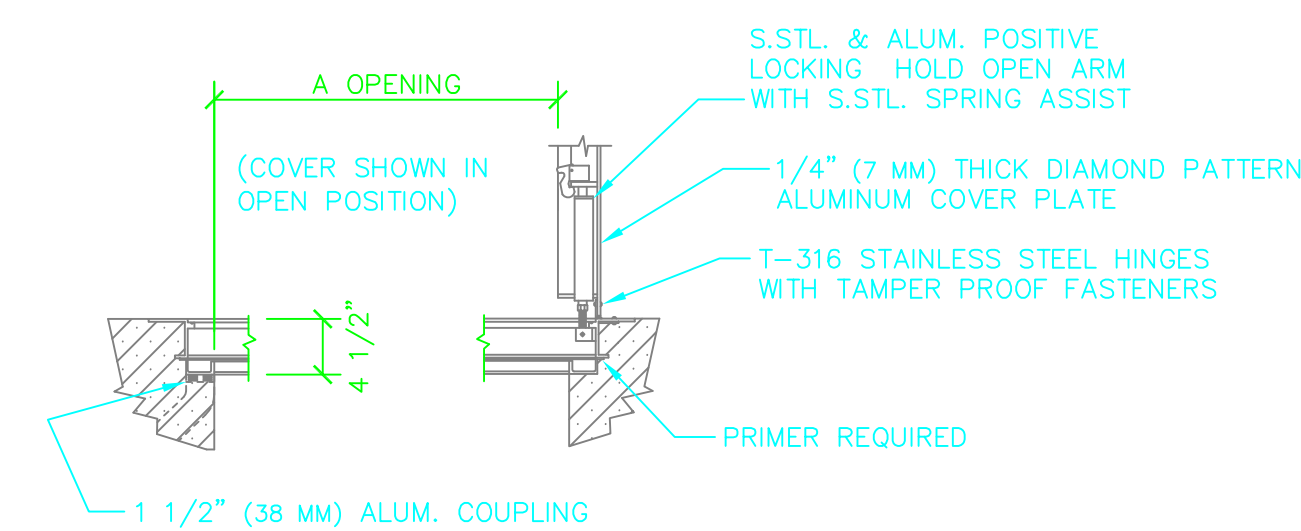
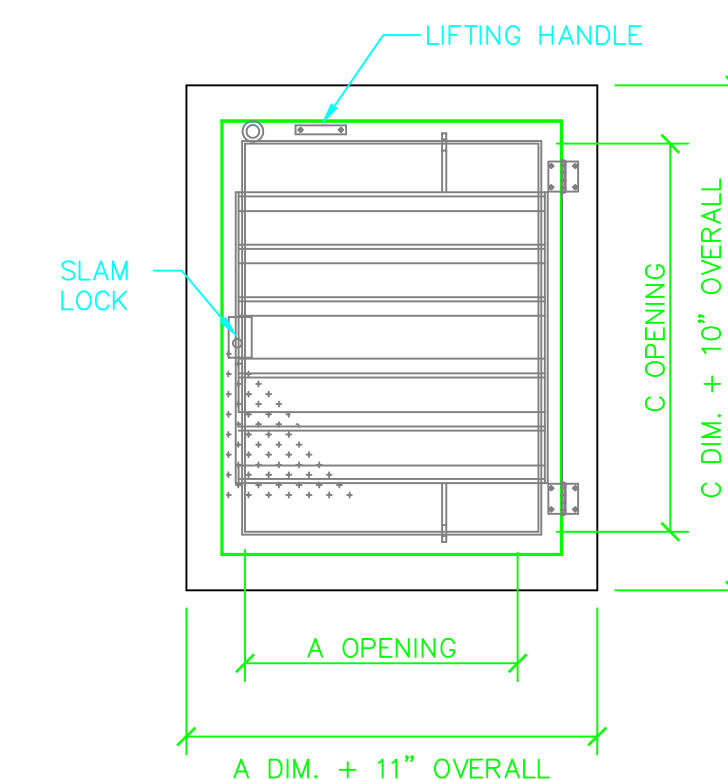
WET WELL AND LIFT STATION PLAN



LID-PLAN

- STANDARD FEATURES:**
- AUTO-LOCK T-316 STAINLESS STEEL HOLD OPEN ARM WITH RELEASE HANDLE.
 - T-316 STAINLESS STEEL HINGES AND ATTACHING HARDWARE
 - T-316 STAINLESS STEEL SLAM LOCK WITH REMOVABLE KEY
 - STAINLESS STEEL COMPRESSION SPRING ASSIST
 - SINGLE LEAF CONSTRUCTION
 - H2O LOAD RATING (SEE NOTES)
 - EXTRUDED ALUMINUM CHANNEL FRAME
 - RECESSED LIFTING HANDLE
 - LIFETIME GUARANTEE
 - HALLIDAY OR EQUAL
 - CAST INTEGRAL WITH PRECAST REINFORCED COVER

STANDARD SIZES				
QTY.	MODEL NO.	A DIM. INCHES (MM)	C DIM. INCHES (MM)	UNIT WT. LBS. (KG.)
	HIC2424	24 (610)	24 (610)	85 (39)
	HIC2430	24 (610)	30 (762)	100 (45)
2	HIC2436	24 (610)	36 (914)	115 (52)
	HIC2442	24 (610)	42 (1067)	130 (59)
	HIC3030	30 (762)	30 (762)	108 (49)
	HIC3036	30 (762)	36 (914)	124 (56)
	HIC3042	30 (762)	42 (1067)	140 (64)
	HIC3048	30 (762)	48 (1219)	157 (71)
	HIC3636	36 (914)	36 (914)	134 (61)
	HIC3642	36 (914)	42 (1067)	151 (68)
	HIC3648	36 (914)	48 (1219)	166 (75)

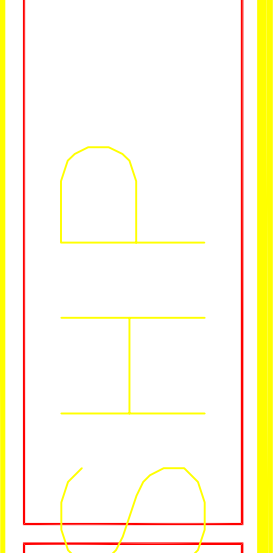


SECTION
LID DETAILS

PROJECT	P0316
DATE	10/27/06
DRAWN BY	JWB
REVISIONS	

PROJECT CRHA-031 BADGER SUBDIVISION
CHEYENNE RIVER HOUSING AUTHORITY
EAGLE BUTTE, SOUTH DAKOTA

ENGINEERING AND ARCHITECTURE
301 West Capitol
Pierre, South Dakota 57501
Telephone 605-224-1132



PLAN VIEW OF
WET WELL / DRY WELL
SEWAGE LIFT STATION

SHEET
C3.20

--	--	--