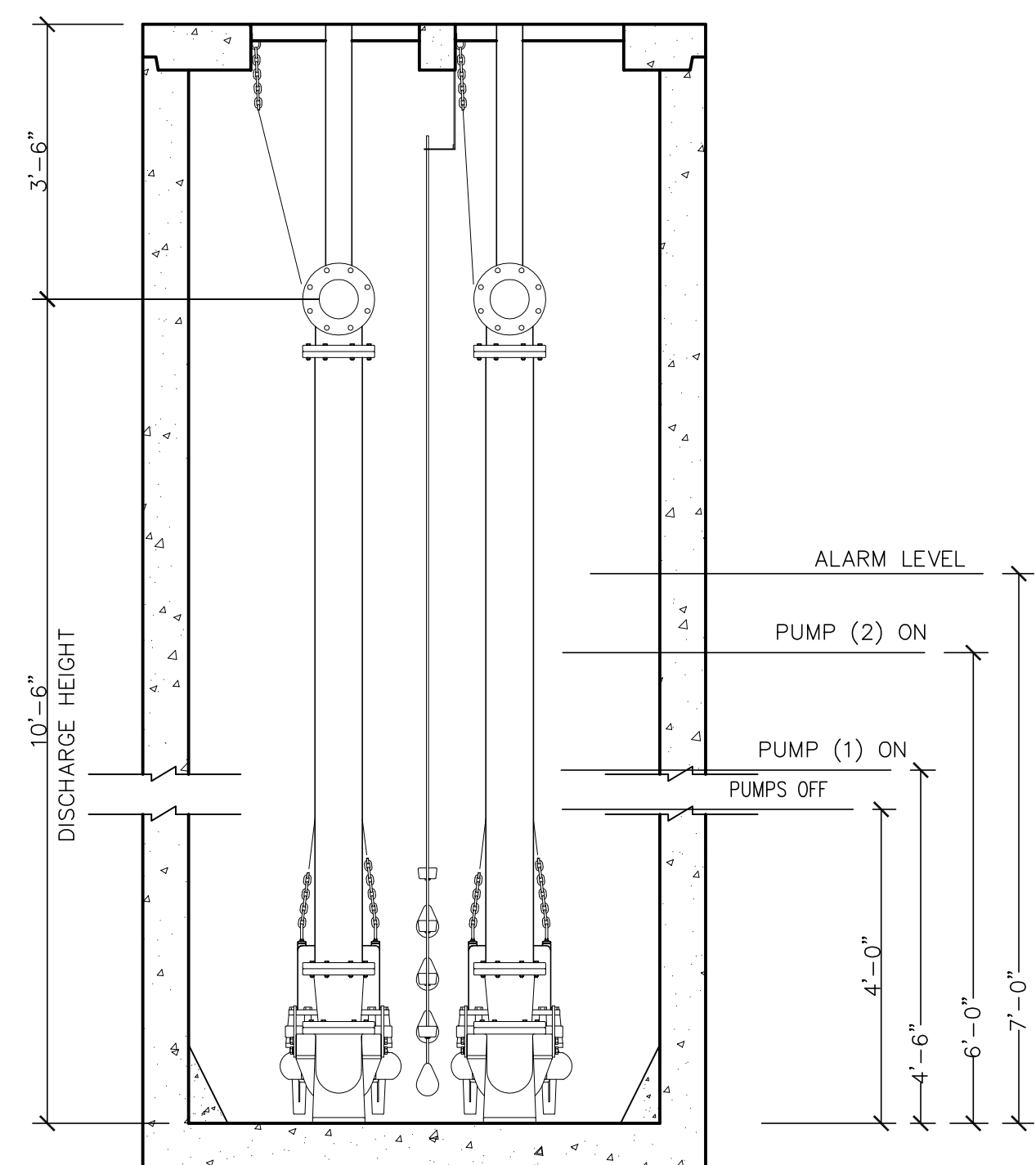


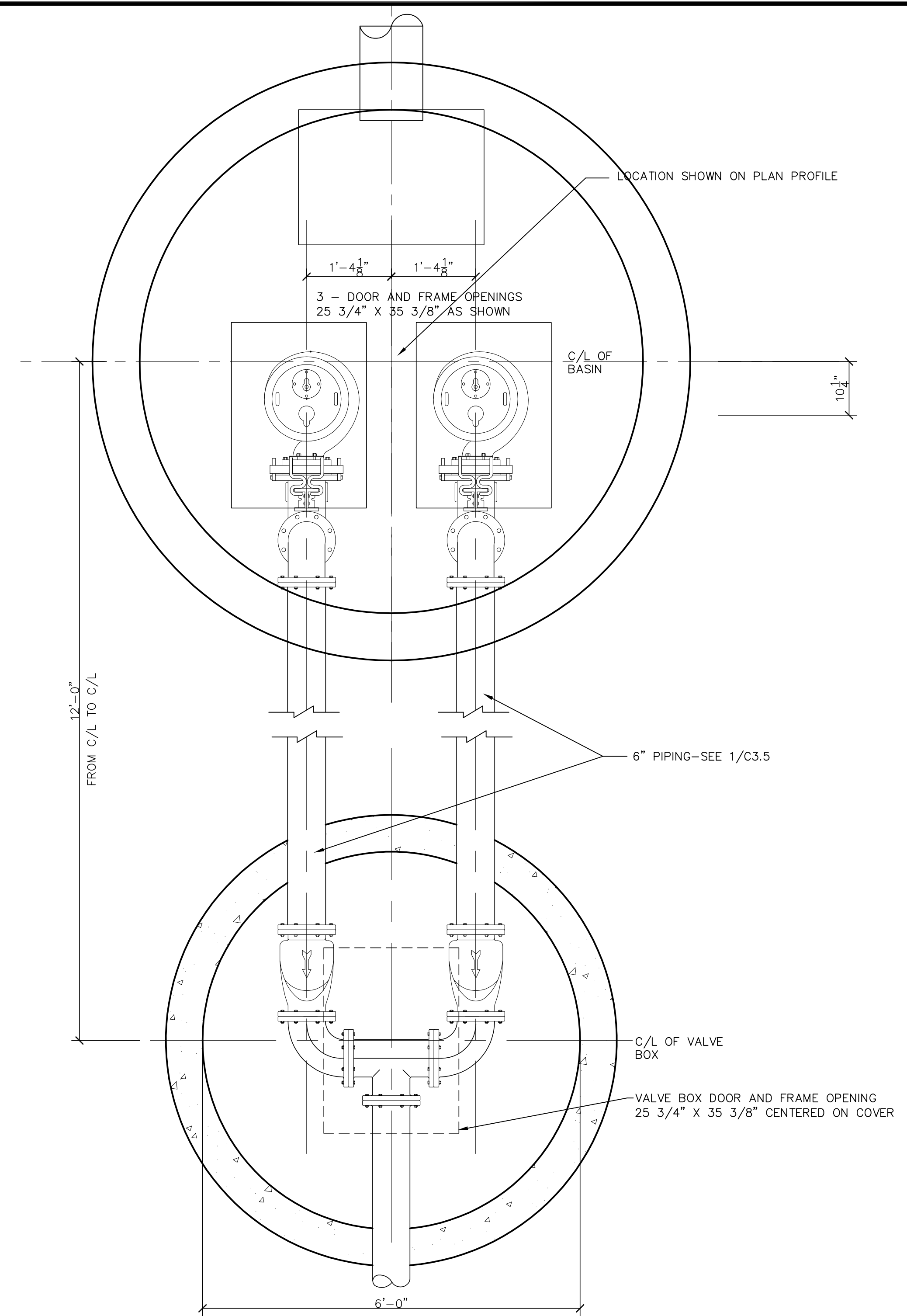
1 MONOLITHIC MANHOLE-ELEV.  
SCALE: 1/2"=1'-0"



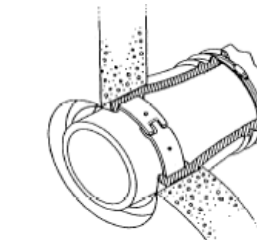
3 MONOLITHIC MANHOLE-SECTION  
SCALE: 1/2"=1'-0"

GENERAL NOTES

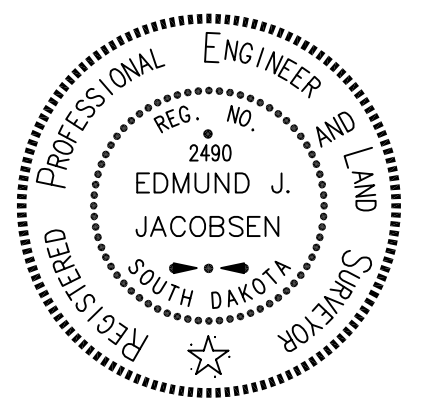
- SUBMERSIBLE PUMP LIFT STATION AND VALVE VAULT IN 8' AND 6' DIA. PRECAST MANHOLES WITH MONOLITHIC BASE. ALL COMPONENTS MANUFACTURED PER ASTM C478. MANHOLE STRUCTURES SHALL BE WATERTIGHT, O-RING JOINTS PER ASTM C443 OR FLEXIBLE BUTYL RUBBER JOINT SEALANT AS PER MANUFACTURER'S RECOMMENDATIONS. ALL PIPES SHALL BE SEALED WITH POSITIVE SEAL GASKET MANHOLE BOOTS.
- PUMP STATION PIPING SHALL BE 6" DIA. DIP AND SHALL EXTEND 10' BEYOND THE VALVE VAULT AND THERE CHANGE TO 6" DIA PVC FORCEMAIN.
- PUMP STATION AS DRAWN IS BASED ON TWO - 4" SUBMERSIBLE SEWAGE PUMPS (FAIRBANKS MORSE 4"5431M&W). EACH PUMP IS RATED 5hp, 230 VOLTS, 3 PHASE, 60 HERTZ, 1155 RPM TO PRODUCE 350 US gpm AT 22 FEET TDH. THE PUMPS SHALL BE CAPABLE OF HANDLING A 2.5" SPHERICAL SOLID.
- PULTRUDED RAIL SYSTEM SHALL INCLUDE SUBMERSIBLE NON-CLOG SEWAGE PUMPS, DISCHARGE ELBOW WITH GUIDE ARMS, HYDRAULIC SEALING FLANGE ASSEMBLY WITH SEALING DIAPHRAGM, GUIDE RAIL CONNECTOR, LIFTING CABLE OR CHAIN AND HOIST, ACCESS FRAME AND HATCH COVERS, FLOATS AND FLOAT MOUNTING BRACKETS, DUPLEX CONTROL EQUIPMENT IN NEMA-4SS(STAINLESS STEEL) ENCLOSURE, PULTRUDED GUIDE RAIL TRASH BASKET AND DISCHARGE PIPING, VENT AND ALL ITEMS REQUIRED FOR A FULLY FUNCTIONING PUMP STATION.
- THE LIFT STATION SITE SHALL BE FENCED WITH A 10' CHAIN LINK FENCE WITH 10' SWING GATE W HARDWARE AND LOCK



2 BASIN AND VALVE BOX-PLAN  
SCALE: 3/4"=1'-0"



4 PSX - POSITIVE SEAL PIPE GASKET  
SCALE: 1/2"=1'-0"



Seal is placed on this sheet electronically. Original is dated and signed. Copies made from original also show date and signature.